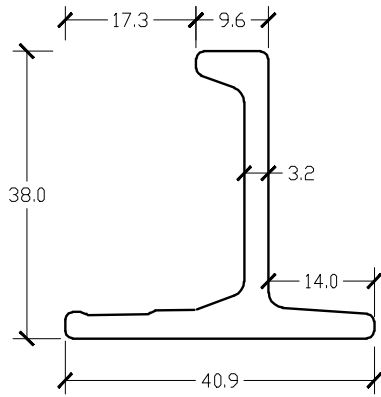
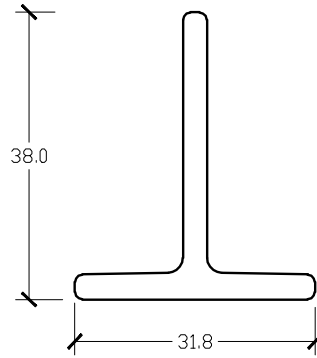


# SKYRANGE WINDOWS

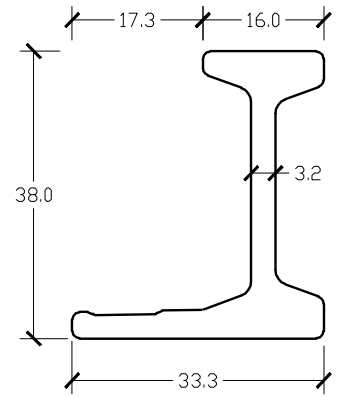
## MILAN SUITE



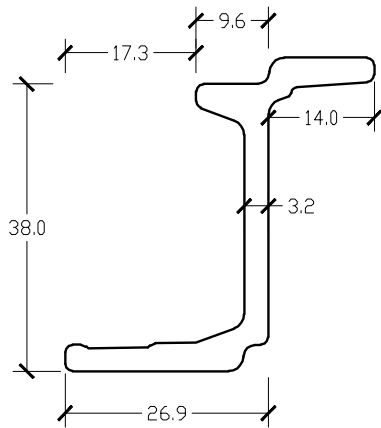
**1904**



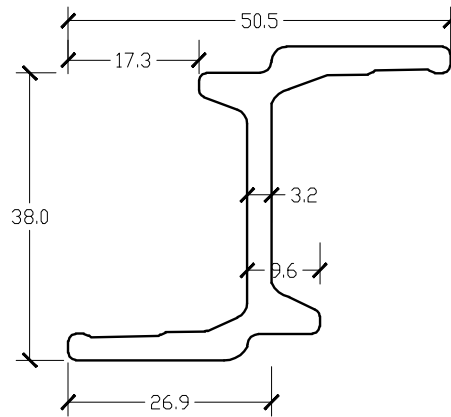
**725**



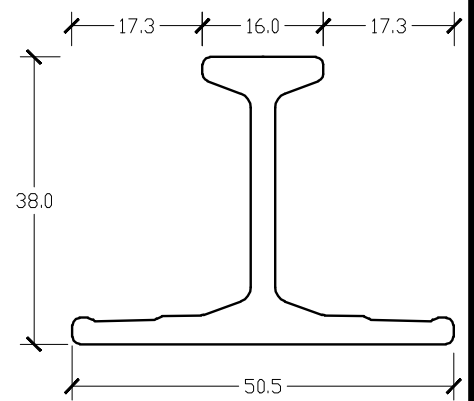
**2002**



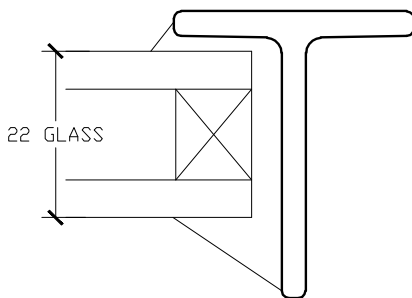
**1901**



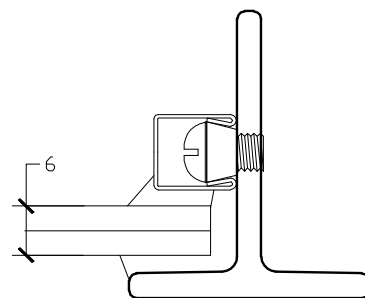
**2001**



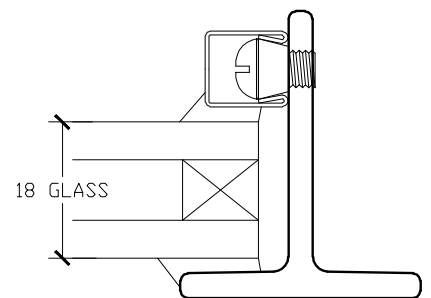
**2004**



**DOUBLE GLAZED  
OUTSIDE  
STRUCTURAL SILICON**



**SINGLE GLAZED  
INSIDE  
WITH BEAD**



**DOUBLE GLAZED  
INSIDE  
WITH BEAD**